

VF4000 CONNECTED 4 CHANNEL HDD/SSD DVR

SKU: D-MDV-01153



The Connected 4-Channel HDD/SSD DVR, multichannel recording system features integrated 4G, GPS, and G-Sensor technology, enabling real-time video access and live vehicle tracking capabilities. Designed for connected fleet applications, the system supports automatic upload of incidents and events to the cloud, alongside automated reporting, email notifications, and detailed vehicle tracking history. Fully compatible with live vehicle tracking systems, it provides enhanced fleet visibility, security, and operational monitoring.

Key Features:

- Up to 4ch 1080p video input
- H.265/H.264 video format
- Built-in 4G, Wi-Fi, GPS positioning
- 6-axis G-sensor, supports HA/HB detection
- H-protocol, support VSS, and is compatible with various FMS platforms

Specifications

System	Embedded Linux
Language	English/Chinese (support customisation)
4G	Built-in 4G module Multiple frequency bands for different regions
WIFI	Built-in Wi-Fi module
Position	Built-in dual-positioning mode: GPS+Beidou, GPS+GLONASS (optional)
G-Sensor	Support: HA/HB/HC/impact/roll-over
Video and Audio	
Video Input	4 x AHD + 1 x IPC
Recording Resolution	4 x 1080p AHD
Video Compression	H.265 (Main/Sub); H.264 (Main/Sub)
Video Output	1 x CVBS
Audio Input	4 ch
Storage	
SD Card	1 SD card slot, max. 512GB
HDD	1 HDD/SSD slot, max. 4TB

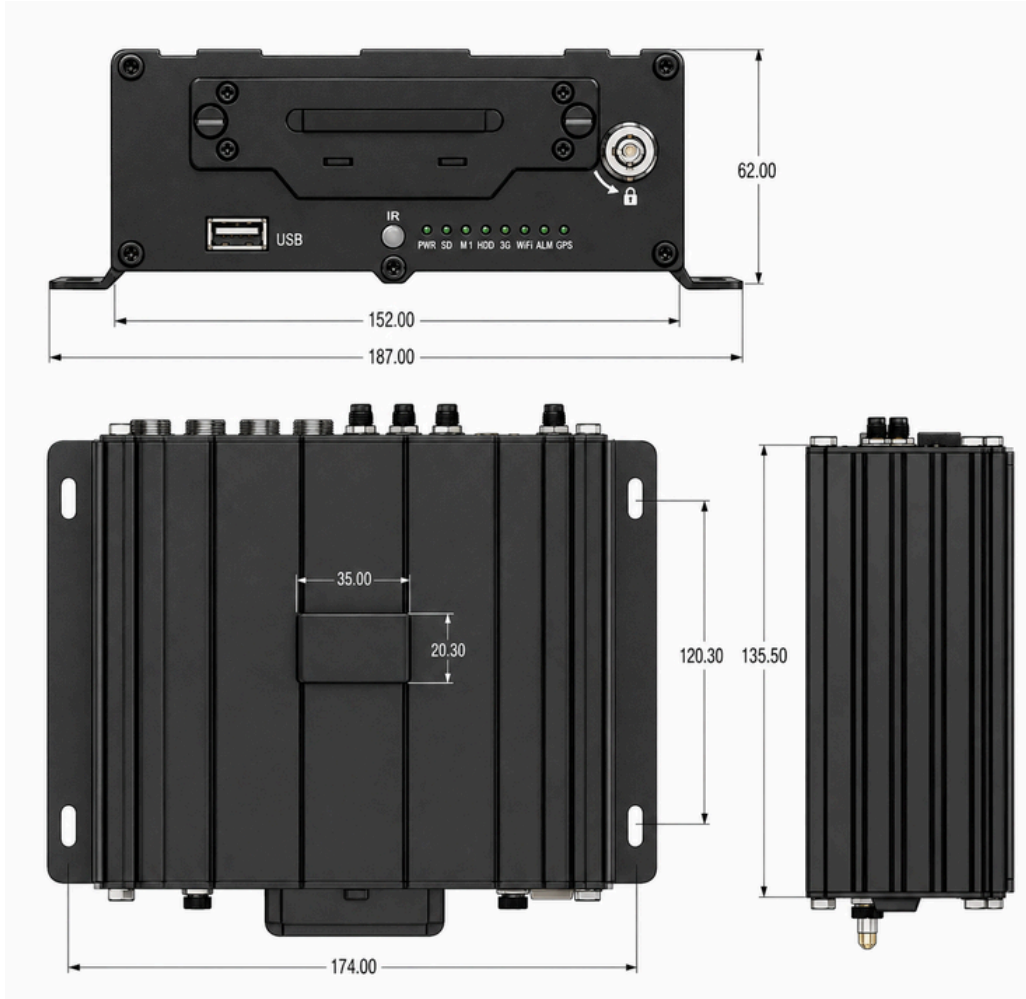
Specifications

Network	
Protocol	H-protocol
Server	VSS, third-party FMS platform
Accessories	Fuel sensor/ ibutton/RFID reader /temperature and humidity sensor, etc.
Alarm	
Basic	I/O, HA/HB/HC, Speed alarm, etc.
DMS	Fatigue detection (Eye-closure detection, Yawning detection); Distraction detection; Phone usage detection; Smoke detection; Infrared-blocking Sunglasses Camera obstruction detection Face recognition: Driver ID, no driver detected, etc.
ADAS	Lane Departure Warning; Forward Collision Warning; Headway Monitoring Warning; Pedestrian Collision Warning
Interface	
Remote Controller	1 (Optional)
USB	1 x USB 2.0 (Type A, Front panel)
Network	1 x 10/100 Mbps (6pin aviation male)

Specifications

Digital sensor in	6
Digital sensor out	2
Analog input	1
RS232 (for accessories)	2
RS232 (for debug)	1
RS485	1
1- Wire	2
Power output	1 x 12V, 1 x 5V
SIM Card slot	1 x standard SIM card slot
Other	
Working voltage	8-36V DC
Working temperature	-20°C-70°C (without hard disk heater) -40°C-70°C (with hard disk heater)
Storage temperature	-40°C-80°C
Dimensions	187mm*175mm*62mm

Product Dimensions (mm)



Product Image

