

VF3400 NON CONNECTED 4 CHANNEL HDD/SSD DVR

SKU: D-MDV-01163



The VF3400 MDVR is a cost-effective, compact 4-channel HDD/SSD DVR designed for commercial vehicle applications. It offers reliable video recording, accurate GPS positioning, and multiple interface options, making it ideal for fleet monitoring and vehicle safety systems.

Key Features:

- Up to 4ch 1080p video input
- Built-in 4G, GPS, Wi-Fi
- H.265/H.264 video format
- Support AI: DMS, ADAS
- Compatible with VSS and various FMS platforms

Storage

HDD	1 x 2.5 inch HDD/SSD slot, maximum support 4TB HDD/SSD
SD Card	1x SD card slot, max. 1TB

Specifications

System	Embedded Linux
Language	English/Chinese (support customisation)
4G	Built-in 4G module Multiple frequency bands for different regions
WIFI	Built-in
Position	Built-in dual-positioning mode: GPS+Beidou, GPS+GLONASS (optional)
G-Sensor	Built in 3 axis
Video and Audio	
Video Input	4 x 1080p AHD
Audio Compression Format	G726
Video Compression	H.265 (Main/Sub), H.264 (Main/Sub)
Video Output	1 x CVBS
Audio Input	4 ch
Video Recording	Manual, Schedule, Alarm
Recording time before alarm	0-60s configurable
Recording time after alarm	0-3600s configurable

Specifications

Network

Protocol	H-protocol
Server	VSS, third-party FMS platform
Accessories	Support integration with fuel sensor/ RFID reader /temperature and humidity sensor, etc.

Alarm

Basic	I/O, Speed alarm, Harsh Acceleration, Harsh braking, etc.
DMS	DMS Fatigue detection (Eye closure detection, Yawning detection); Distracted detection; Phone usage detection; Smoke detection; Infrared-blocking Sunglasses; Face Recognition: Driver ID, No driver detected
ADAS	Lane Departure Warning; Forward Collision warning; Headway Monitoring Warning; Pedestrian Collision Warning

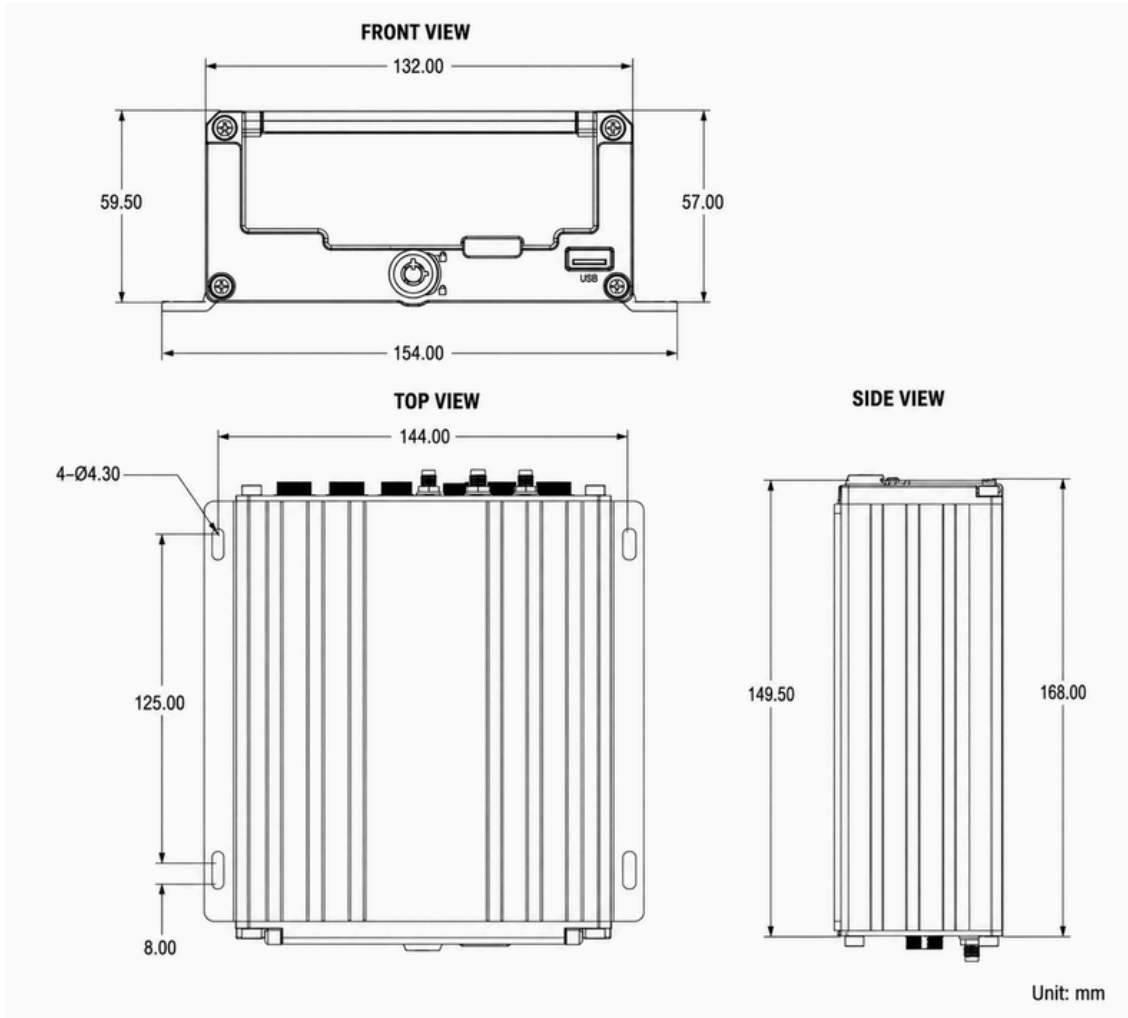
Interface

Remote Controller	1 (Optional)
USB	1 x USB 2.0 (Type A, Front panel)
Digital sensor input	4 (5V DC to 24V DC)

Specifications

Digital sensor output	2
RS232	1
RS485	1
Power Output	1 x 12V
Sim Card Slot	1 x Standard SIM slot
Other	
Working voltage	8-36V DC
Working temperature	-20°C-70°C (without hard disk heater)
Storage temperature	-40°C-80°C
Dimensions	170.5mm*154mm*59.5mm

Product Dimensions (mm)



Product Image

