

VF3000

SKU: D-MDV-01162



The VF3000 is a compact 4-channel MDVR for commercial vehicles, supporting up to four 1080p cameras with built-in 4G, Wi-Fi, GPS, and advanced vehicle monitoring features.

Key Features:

- Up to 4ch 1080p video input
- Built-in 4G, GPS, Wi-Fi
- H.265/H.264 video format
- Support AI: DMS, ADAS
- Compatible with various FMS platforms
- Support external accessories via input, output, RS232, RS485

Storage

SD Card

1x SD card slot, max. 1TB

Specifications

System	Embedded Linux
Language	English/Chinese (support customisation)
4G	Not supported
WIFI	Not supported
Position	Built-in dual-positioning mode: GPS+Beidou, GPS+GLONASS (optional)
G-Sensor	Built in 3 axis
Video and Audio	
Video Input	4 x 1080p AHD
Audio Compression Format	G726
Video Compression	H.265 (Main/Sub), H.264 (Main/Sub)
Video Output	1 x CVBS
Audio Input	4 ch
Video Recording	Manual, Schedule, Alarm
Recording time before alarm	0-60s configurable
Recording time after alarm	0-3600s configurable

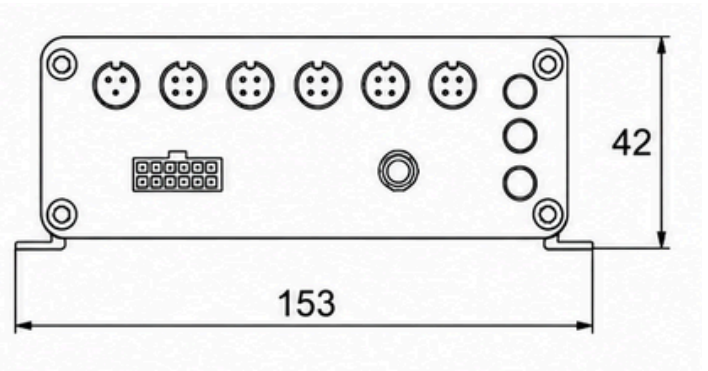
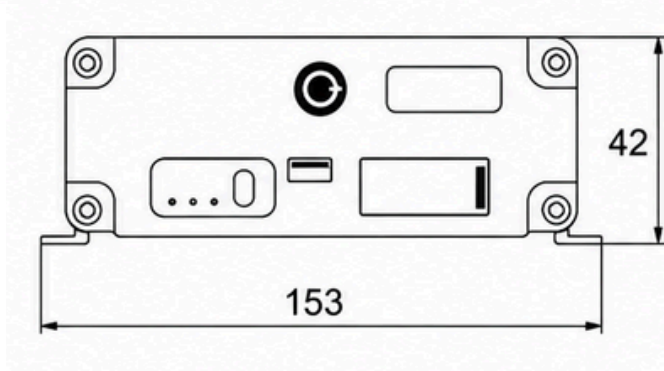
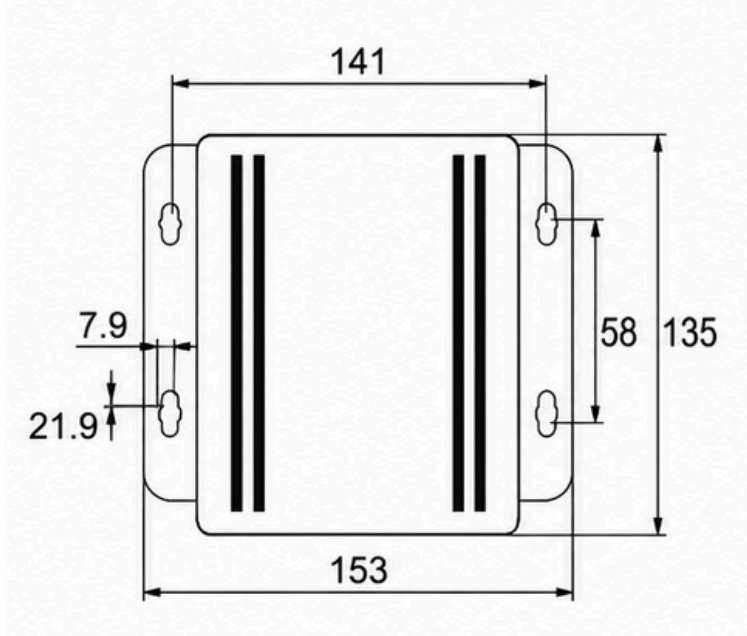
Specifications

Network	
Protocol	H-protocol
Server	VSS, third-party FMS platform
Accessories	Support integration with fuel sensor/ RFID reader /temperature and humidity sensor, etc.
Alarm	
Basic	I/O, Speed alarm, Harsh Acceleration, Harsh braking, etc.
DMS	DMS Fatigue detection (Eye closure detection, Yawning detection); Distracted detection; Phone usage detection; Smoke detection; Infrared-blocking Sunglasses; Face Recognition: Driver ID, No driver detected
ADAS	Lane Departure Warning; Forward Collision warning; Headway Monitoring Warning; Pedestrian Collision Warning
Interface	
Remote Controller	1 (Optional)
USB	1 x USB 2.0 (Type A, Front panel)
Digital sensor input	4 (5V DC to 24V DC)

Specifications

Digital sensor output	2
RS232	1
RS485	1
Power Output	1 x 12V
Sim Card Slot	1 x Standard SIM slot
Other	
Working voltage	10-36V DC
Working temperature	-20°C-70°C (without hard disk heater)
Storage temperature	-40°C-80°C
Dimensions	153mm*135mm*42mm

Product Dimensions (mm)



Product Image

