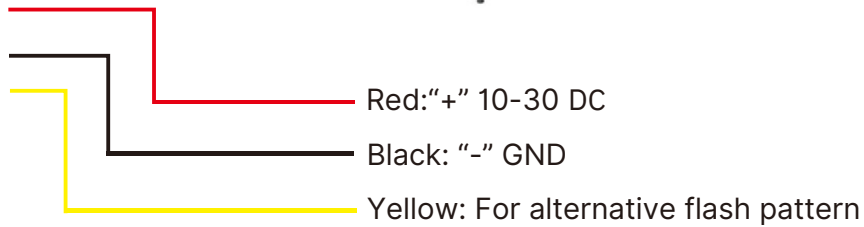
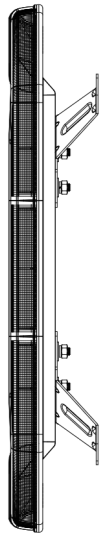


Smoky Cover Lightbar Manual

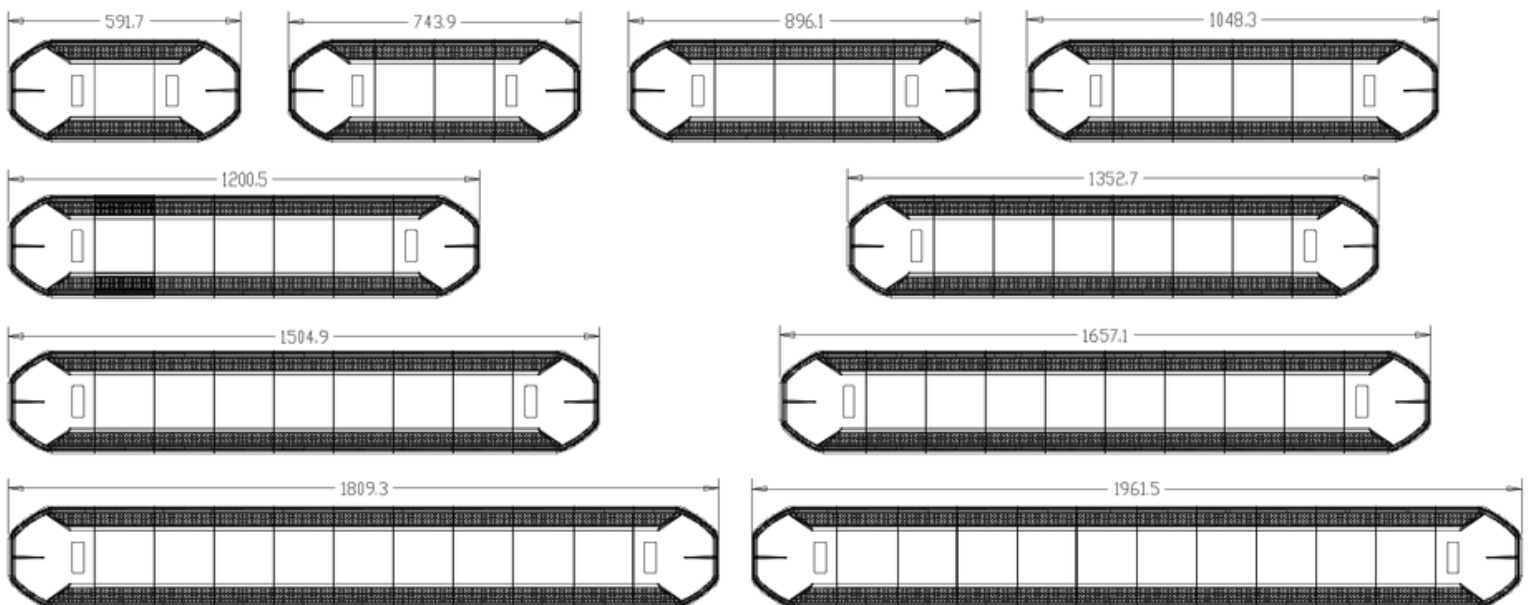
High Intensity Led Warning Light Bar - ECE R65 Class 1 / SAE J845 Class 1

- Mounting: Bracket Mount, Rubber Mount
- Patterns: 20 flash patterns
- Waterproof Rate: IP67
- Operating Voltage: 10-30V

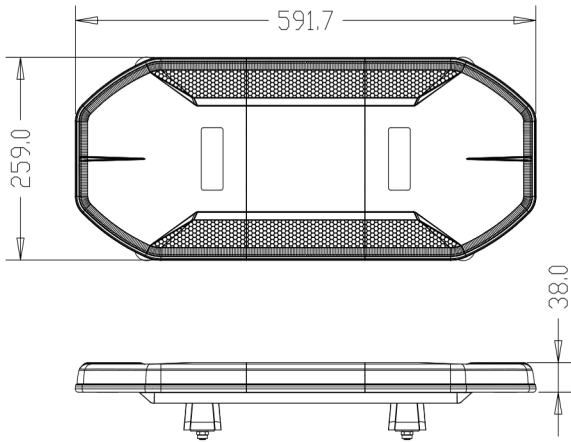


Flash pattern: Use the yellow line + VDC

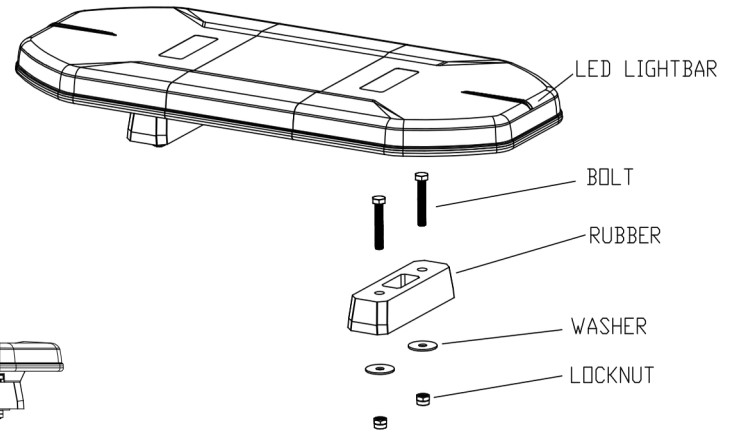
- Press for less than 1 second for next flash pattern
- Press more than 5 seconds to return to the first default pattern



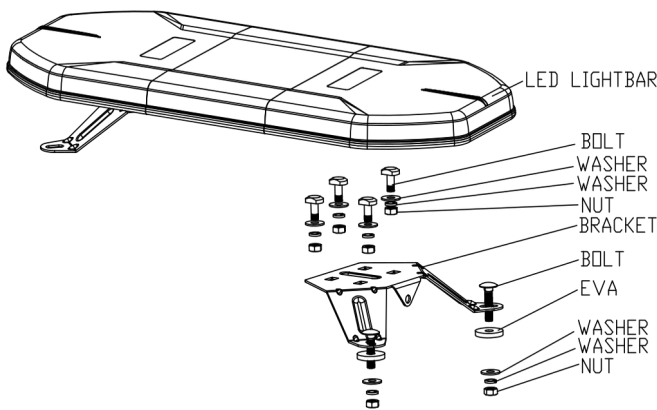
Mounting



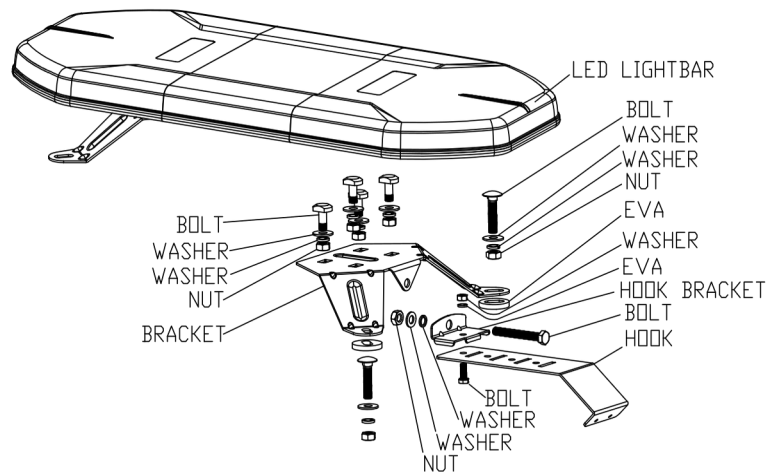
LED LIGHTBAR
RUBBER MOUNT



LED LIGHTBAR
BRACKET MOUNT



LED LIGHTBAR BRACKET &
HOOK MOUNT



Note: Hooks are not in the box as standard, if needed, please get in touch: info@dal-tec.com

Flash Patterns

#	Patterns	FPM
1	ECE R65 Single (by day)	150
2	ECE R65 Single (by night)	150
3	Single Split	300
4	Single	75
5	Single Split	150
6	Double	150
7	Double Split	300
8	Quad	150
9	Quad split	300
10	Frequency	1500

#	Patterns	FPM
11	Frequency Split	35
12	Flow line from left to right1	230
13	Flow line from right to left1	230
14	Flow line from left to right2	60
15	Flow line from right to left2	60
16	Flow line from ends to center	60
17	Flow line from center to ends	60
18	Single + Quad	/
19	Single split + Quad split	/
20	Single + water flow from center to ends	/