

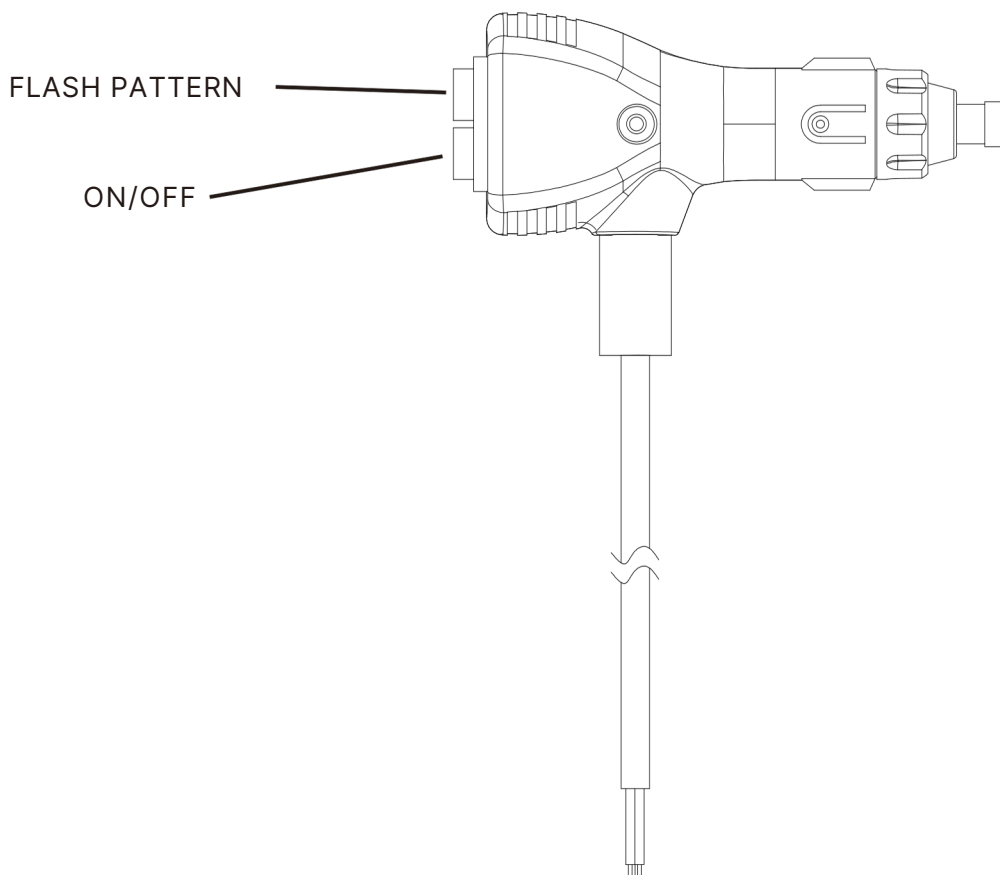
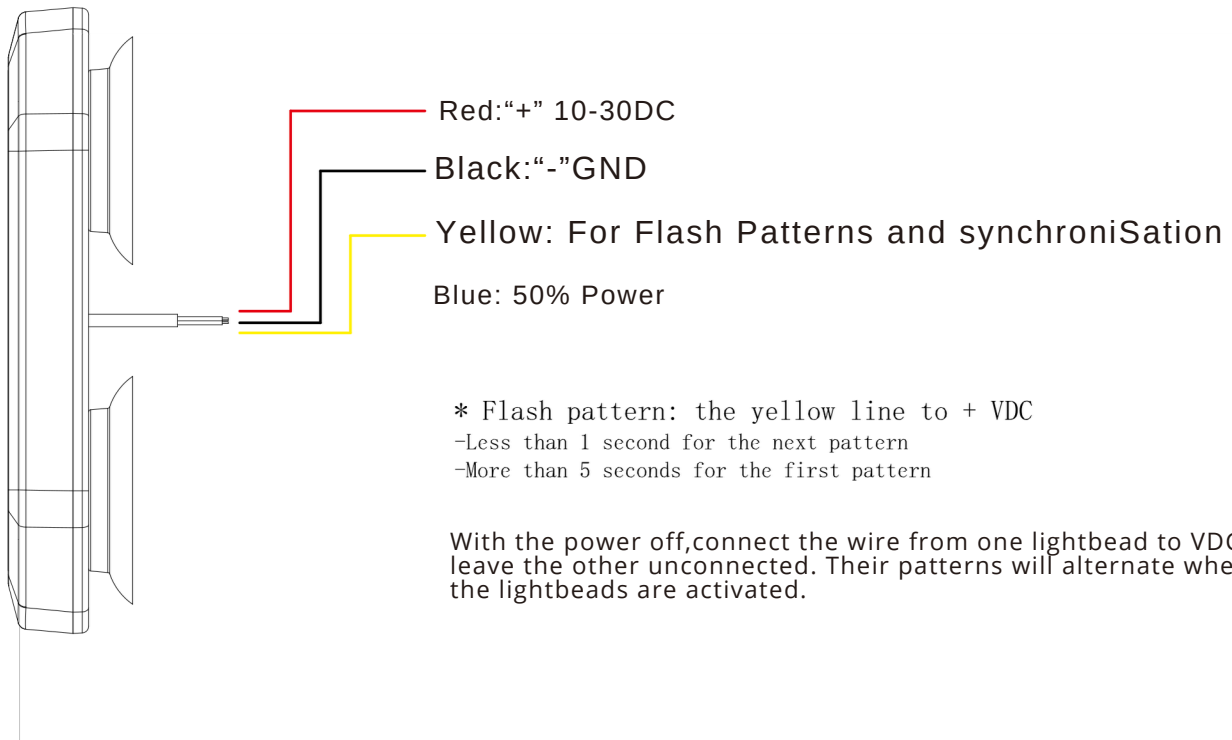
LED WARNING MINI LIGHTBAR



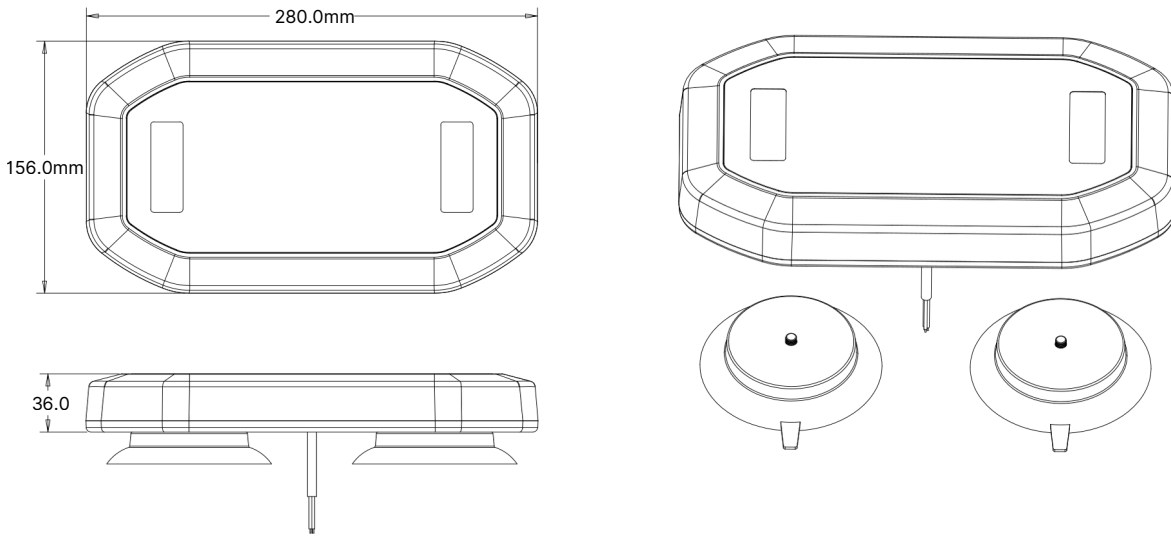
SKU: D-LIG-00074



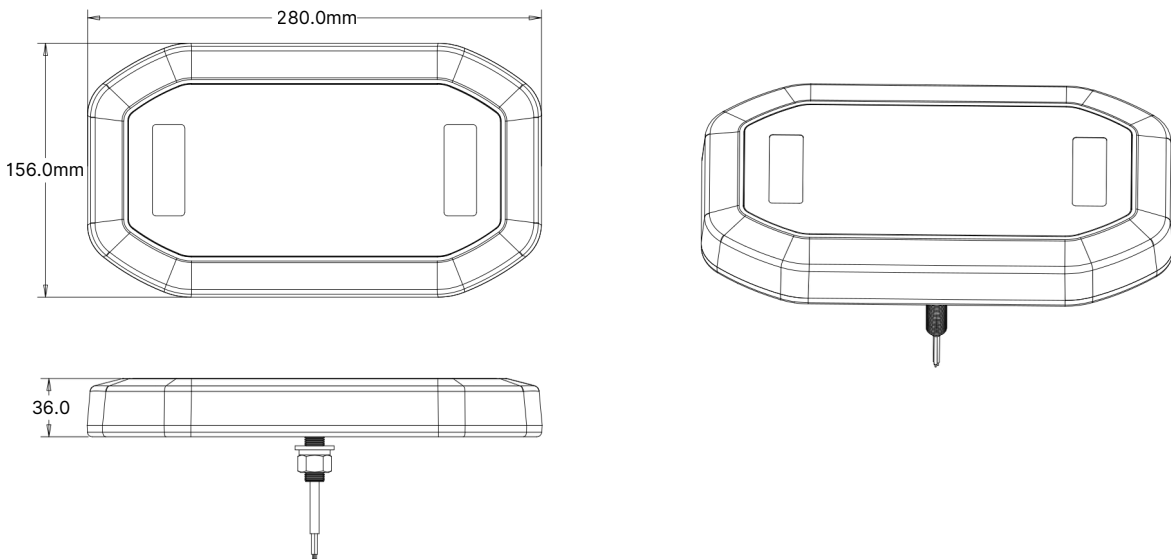
SKU: D-LIG-00073



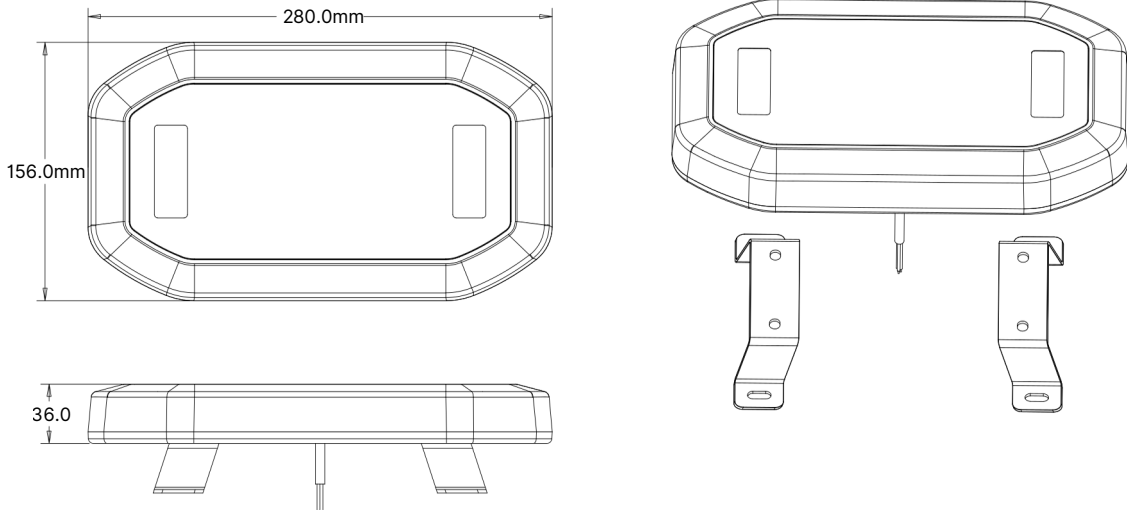
Magnetic Mount:



Central Pole:



Bracket Mount:



TECHNICAL SPECIFICATION

LED	108
Power	65 W
Voltage	10-30 V
Flash Patterns	21
Temperature	-40°C-60°C
IP Rating	IP67
Certifications	SAE J845, ECE R10, ECE R65, CISPR 25
Warranty	3 Years

FLASH PATTERNS

1. ECE R65 Single (by day) AMBER	12. Rotating
2. ECE R65 Single (by night) AMBER	13. Rotating
3. Single Split	14. Single+Quad
4. Single	15. Single+Frequency
5. Single Split	16. Single 150FPM+ Single 75FPM
6. Double	17. Single Split+quad split
7. Double Split	18. Single Split+Frequency split
8. Quad	19. Double+quad+rotating
9. Quad split	20. Double split+quad split+rotating
10. Frequency	21. Combination
11. Frequency Split	