

6 WAY STANDARD BLADE FUSE BOX



D-CON-29189

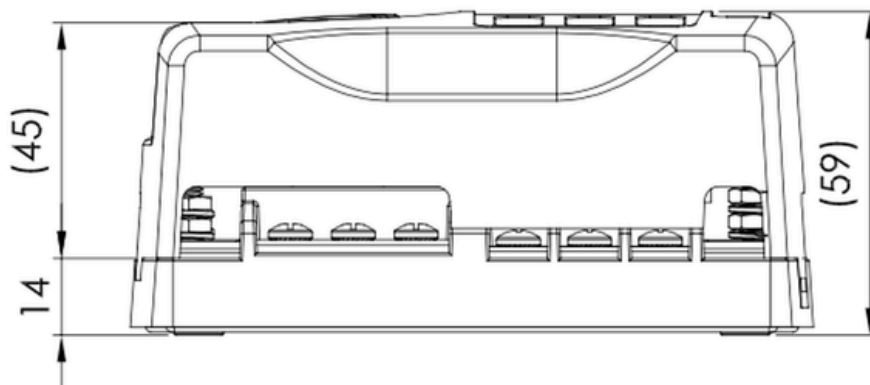
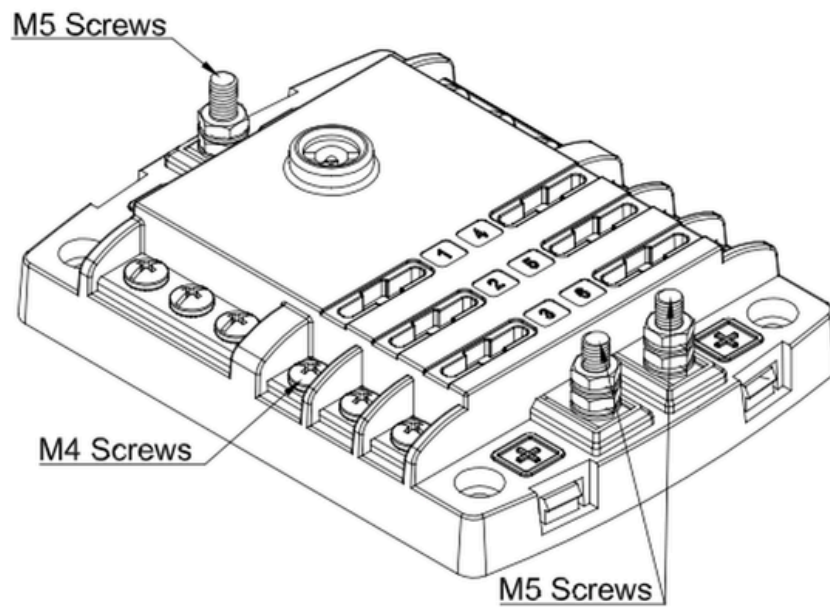
This 6-Way Blade Fuse Box provides a safe and reliable way to distribute power to multiple vehicle accessories. Suitable for automotive, commercial vehicle, marine and leisure applications, it accepts standard ATO/ATC blade fuses and supports up to 100A input with 30A per individual circuit.



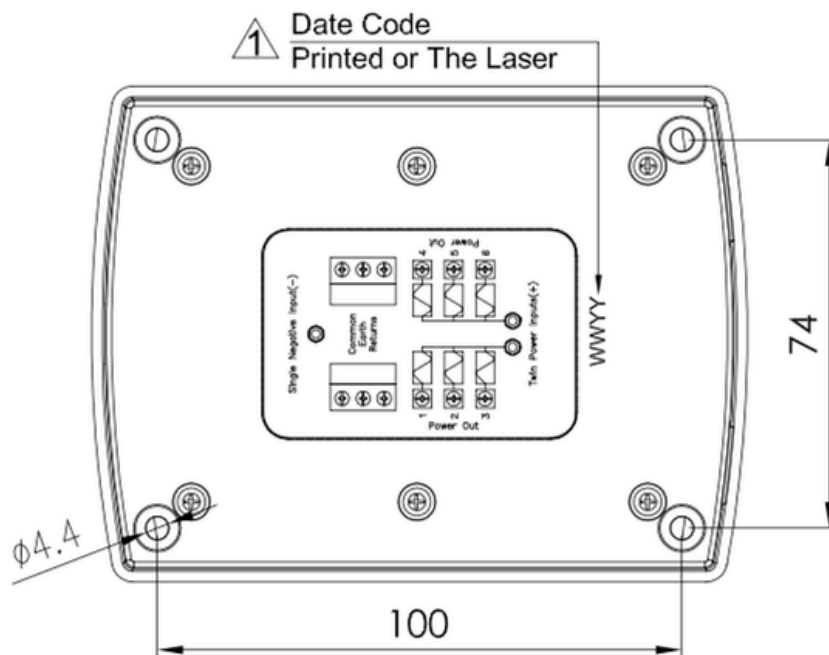
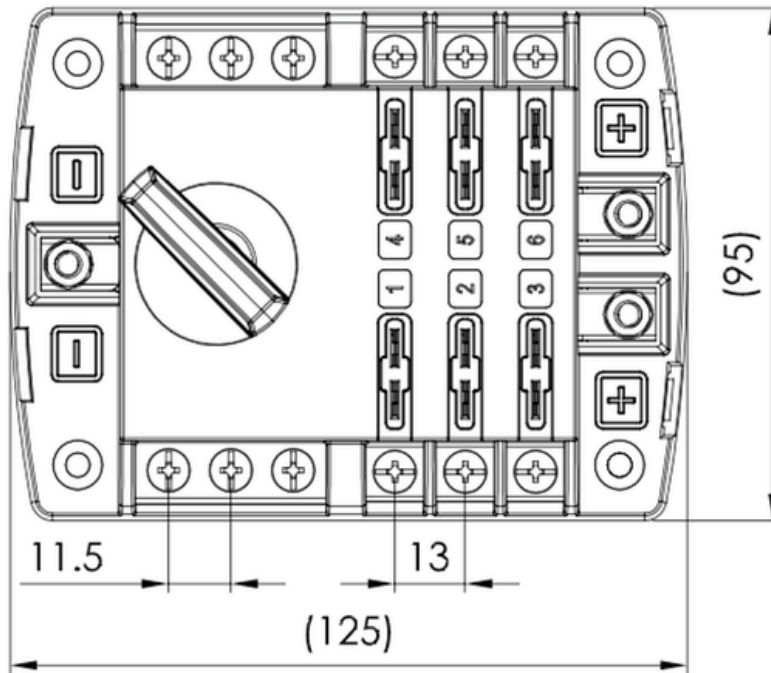
PRODUCT SPECIFICATION

Specification	Details
Housing & Base Material	PBT (UL 94V-0 Flame Rated)
Cover Material	Polycarbonate (PC) (UL 94V-2 Flame Rated)
Terminal Material	Tin-Plated Copper
Fuse Type	ATO/ATC Blade Fuse
Input Terminal	M5 Threaded Studs
Maximum Input Current	100A
Maximum Output Current	30A per Circuit
Input Wire Size	#4-6 AWG
Output Wire Size	#12-16 AWG
Terminal Torque	20 in-lb (2.25 Nm) Max
Mounting Torque	8 in-lb (0.9 Nm) Max
Maximum Voltage	32V DC
Operating Temperature	-25°C to +85°C

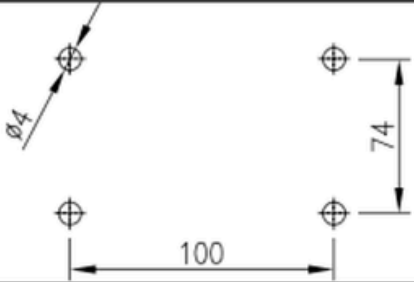
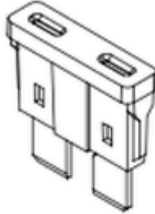
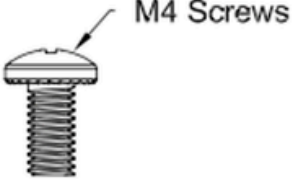
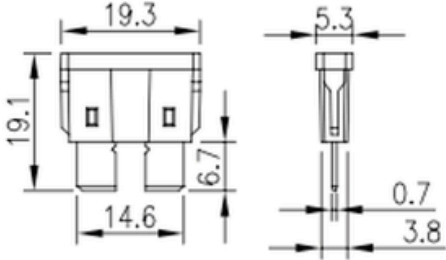
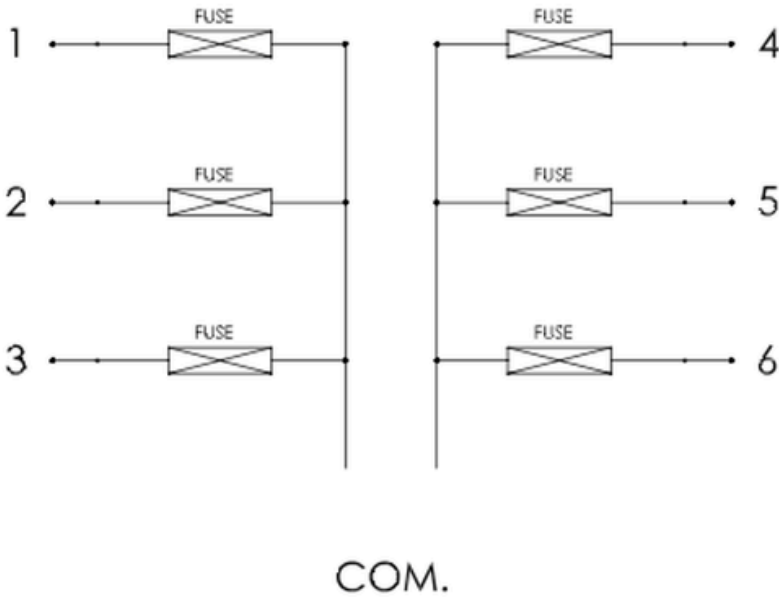
PRODUCT DIAGRAM



PRODUCT DIAGRAM



PRODUCT DIAGRAM

Mounting Holes	Blade Fuse Isometric View
	
Terminal Dim.	Blade Fuse Dim.
	
Circuit Diagram	
 <p style="text-align: center;">COM.</p>	